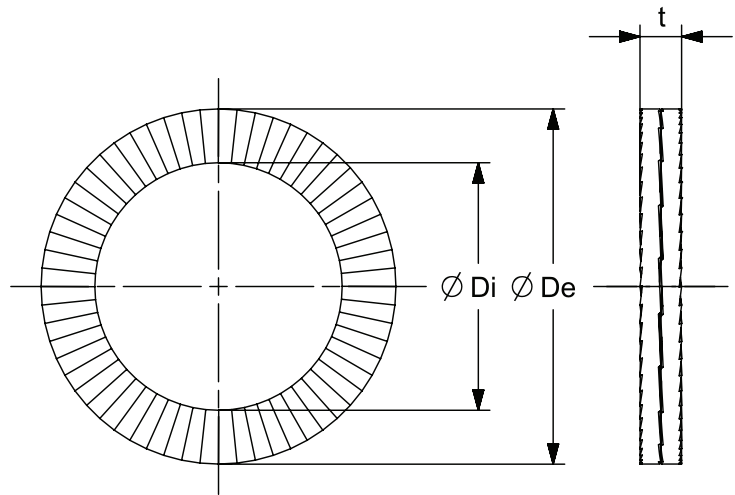
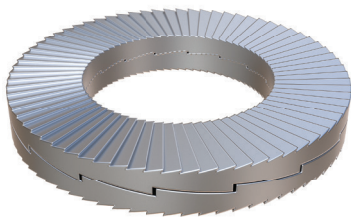


tielock®

USE THE BEST



Technical Specifications

Product Name	Twinwashers	TW1/2"
Product Code	Item Number	2014
VPE	Number Per Package	200 Pcs.
	Materials	Steel EN 1.7182
De	Outer Diameter (mm)	19,5
Di	Inner Diameter (mm)	13,5
t	Material Thickness (mm)	2,5

Standart
DIN 25201

Alternative Materials
Steel EN 1.7182
Stainless Steel EN 1.4404

