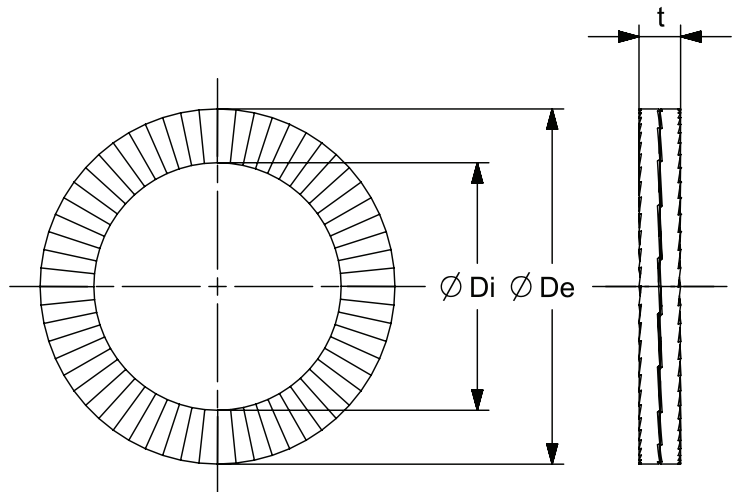
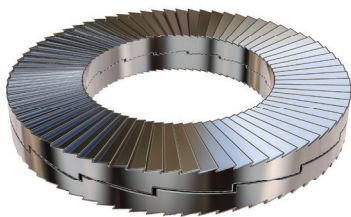


tielock®

USE THE BEST



Technical Specifications

Product Name	Twinwashers	TW1/4"ss
Product Code	Item Number	2071
VPE	Number Per Package	200 Pcs.
	Materials	Steel EN 1.7182
De	Outer Diameter (mm)	11,5
Di	Inner Diameter (mm)	7,2
t	Material Thickness (mm)	2,20

Standart
DIN 25201

Alternative Materials
Steel EN 1.7182
Stainless Steel EN 1.4404

