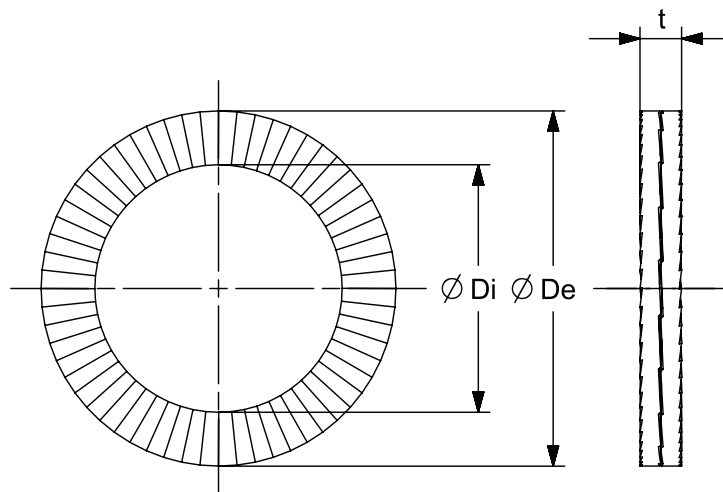
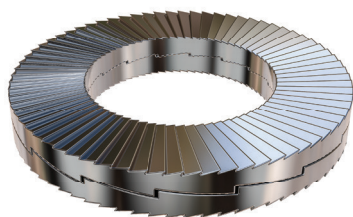


# tielock®

USE THE BEST



## Technical Specifications

Product Name	Twinwashers	TW3/8"ss
Product Code	Item Number	2075
VPE	Number Per Package	200 Pcs.
	Materials	Steel EN 1.7182
De	Outer Diameter (mm)	16,6
Di	Inner Diameter (mm)	10,3
t	Material Thickness (mm)	2,0

Standart  
DIN 25201

Alternative Materials  
Steel EN 1.7182  
Stainless Steel EN 1.4404

