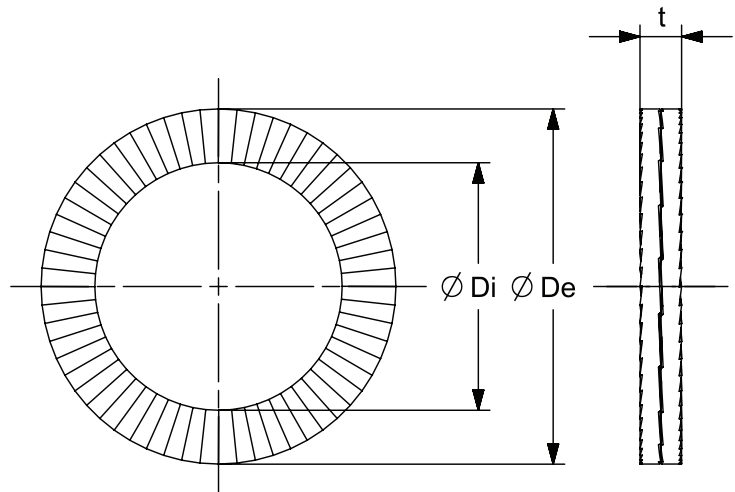
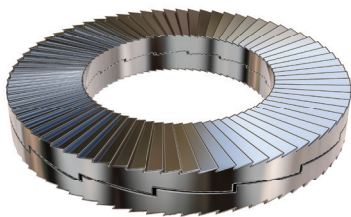


tielock®

USE THE BEST



Technical Specifications

Product Name	Twinwashers	TW20SSSP
Product Code	Item Number	2093
VPE	Number Per Package	100 Pcs.
	Materials	Steel EN 1.7182
De	Outer Diameter (mm)	39,00
Di	Inner Diameter (mm)	21,40
t	Material Thickness (mm)	3,20

Standart
DIN 25201

Alternative Materials
Steel EN 1.7182
Stainless Steel EN 1.4404

